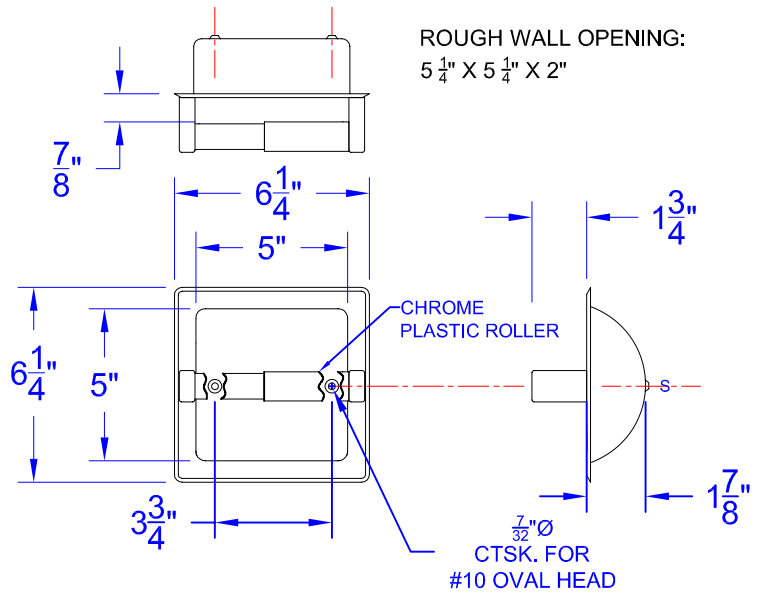
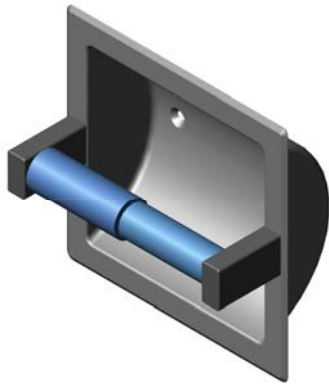




Technical Data

S-2650-XX

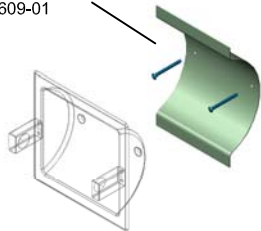
SINGLE RECESSED TOILET PAPER HOLDER



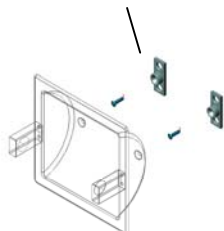
FINISH CODE: -XX
 -SS = SATIN
 -BS = BRIGHT
 -PC = POWDER COATED (SPECIFY COLOR)

MOUNTING SYSTEMS

DRY WALL CLAMP
S-2609-01



TILE TYPE LUGS
S-2601-01



OPTIONAL MOUNTING SYSTEMS COME WITH APPROPRIATE SCREWS.

Construction:

SHELL: 22 GAUGE TYPE 304 STAINLESS STEEL FORMED ONE PIECE WITH BEVELED EDGES. (2) 7/32" Ø MTG. HOLES CTSK. FOR A #10 OVAL HEAD SCREW.
 ROLLER POSTS: 22 GAUGE TYPE 304 STAINLESS STEEL FORMED ONE PIECE. FASTEN TO SHELL FROM BEHIND.
 ROLLER: CHROME PLATED PLASTIC. SPRING LOADED FOR REMOVAL AND RELOAD.
 SCREWS: COMES WITH (2) #10 X 1" OVAL PHILIPS STAINLESS STEEL SMS.

Operation:

HOLDS A SINGLE ROLL OF TOILET TISSUE PAPER OF STANDARD SIZE.
 ROLLER ALLOWS FOR QUICK LOADING OF TOILET TISSUE PAPER,

Installation:

ROUGH WALL OPENING OF 5 1/4" X 5 1/4" X 2" DEEP REQUIRED.
 USE SHELL TO MARK LOCATION.
 CUT OPENING THROUGH WALL.
 FASTEN TO WALL USING SCREWS PROVIDED OR OPTIONAL MOUNTING SYSTEMS SHOWN ABOVE.

CAUTION: RECESSED SHELL REQUIRES NO OBSTRUCTIONS BEHIND WALL. UNIT IS ONLY AS STRONG AS THE ANCHORING DEVICES AND THE WALL ON WHICH IT IS MOUNTED TO.

Guide Specification:

FABRICATED FROM TYPE 304 STAINLESS STEEL IN FINISHES REQ. (AS LISTED ABOVE)
 SPRING LOADED CHROME PLATED PLASTIC ROLLER TO HOLD A SINGLE TOILET TISSUE ROLL.
 ROUGH WALL OPENING REQUIRED IS 5 1/4" X 5 1/4" X 2" DEEP.